

Datasheet

Product Name: UHF RFID Animal Ear Tag

Model No.: IDRFID-E006

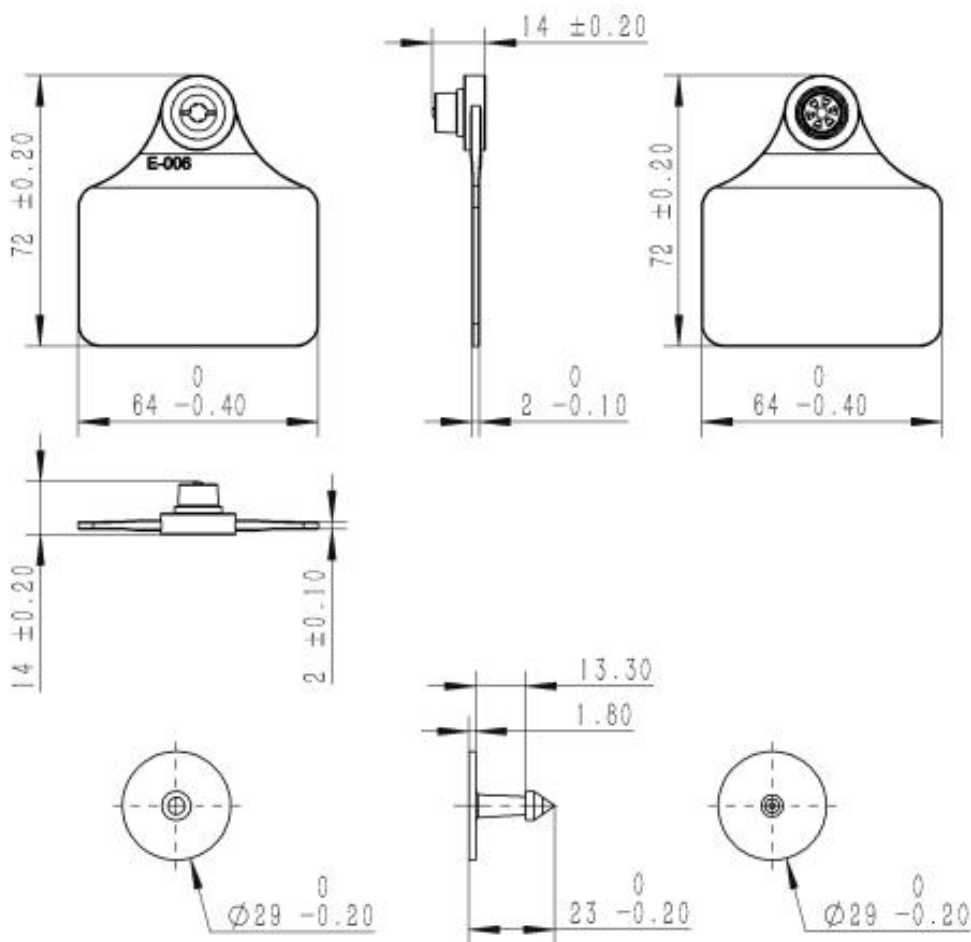
Effective Date: 2022.06.20

Version No.: A0

1. Product Picture



2. Size(mm)



3. Technical Parameter

Applicable Objects	cattle, sheep, and horses
Printable Content	Laser engraving company name, logo, and other information
Material	TPU
Color	Yellow or customized
Main Tag Size	72*64*14mm(With RFID)
Sub Tag Size	φ29*23mm(Without RFID)
Tensile Fracture Force of Ear Tag Fixator	When the fixator is stretched as a whole, the tensile fracture force between the head and the tag surface is greater than 290 N
Bond	When the ear tag fixator is embedded in the head of the ear tag to achieve a firm connection, the detachment force between the two is greater than 290 N
Working Temperature	-20°C~+65°C
Storage Temperature	-30°C~+75°C
Frequency	902-928MHz
Protocol	ISO/IEC 18000-6C
Chip	U9/U8
Chip Storage Area	EPC: 96 bits/128 bits; TID: 96 bits
Read Distance	1-8m(depends on the RFID reader)
Rewriting Times	100,000
Work Mode	Passive